

M8 Circular Connector

30/60V 4A

Technical characteristics

	3-pole	4-pole
Rated current(40°C)	4A	4A
Rated voltage	60V	30V
Rated impulse voltage	800V	800V
Pollution degree	3	3
Overvoltage categorie	II	II
Contact resistance	≤ 10 mΩ	≤ 10 mΩ
Connector locking system	screw	screw
Termination	crimp, moulded	crimp, moulded
Wire gauge	0.25mm ² (AWG24)	0.25mm ² (AWG24)
Cable outlet	-	-
Degree of protection	IP67	IP67
Mechanical operation	> 100	> 100
Limiting temperature	-25°C ...+85°C	-25°C ...+85°C
Material group	II	II
Material of contact	copper alloy	copper alloy
Contact plating	Au	Au
Insulating material	PA	PA
Material of housing	TPU	TPU

Angled cable connectors,cable

Male cable connector moulded,
screw

Recommend to use

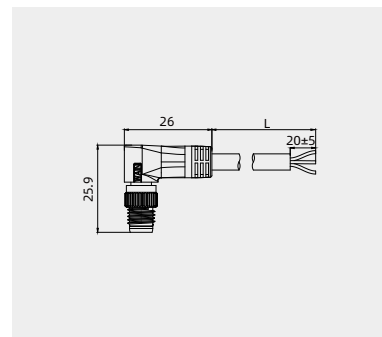


Contact arrangements



3pin 4pin

Contacts	Cable length	Cable	Designation	Order No.
3	1.5m	3x0.25PVC	M8-M03-S-1.5-PVC	162 003 501 4001
		3x0.25PUR	M8-M03-S-1.5-PUR	162 003 501 4041
	5.0m	3x0.25PVC	M8-M03-S-5.0-PVC	162 003 501 4002
		3x0.25PUR	M8-M03-S-5.0-PUR	162 003 501 4042
4	1.5m	4x0.25PVC	M8-M04-S-1.5-PVC	162 004 501 4001
		4x0.25PUR	M8-M04-S-1.5-PUR	162 004 501 4041
	5.0m	4x0.25PVC	M8-M04-S-5.0-PVC	162 004 501 4002
		4x0.25PUR	M8-M04-S-5.0-PUR	162 004 501 4042

Male cable connector moulded,
screw, shielded

Recommend to use

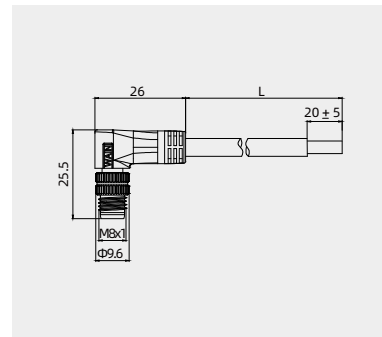


Contact arrangements



3pin 4pin

Contacts	Cable length	Cable	Designation	Order No.
3	1.5m	3x0.25PVC	M8-M03-S-1.5-PVC-SH	162 003 501 2001
		3x0.25PUR	M8-M03-S-1.5-PUR-SH	162 003 501 2041
	5.0m	3x0.25PVC	M8-M03-S-5.0-PVC-SH	162 003 501 2002
		3x0.25PUR	M8-M03-S-5.0-PUR-SH	162 003 501 2042
4	1.5m	4x0.25PVC	M8-M04-S-1.5-PVC-SH	162 004 501 2001
		4x0.25PUR	M8-M04-S-1.5-PUR-SH	162 004 501 2041
	5.0m	4x0.25PVC	M8-M04-S-5.0-PVC-SH	162 004 501 2002
		4x0.25PUR	M8-M04-S-5.0-PUR-SH	162 004 501 2042



•Further cable length upon request, minimum order quantity 200 pieces.